



HIGH LEVEL SHELF WITH HANGING RAIL – 1200mm

INSTALLATION GUIDE

This information sheet provides details of how to install an internal high level shelf with hanging rail. **Please take time to read it through fully prior to the installation of your sliding wardrobe doors.**

This pack contains:

- **Shelf**
(l)1200mm x (w)450mm x (d)18 mm
- **2 x side shelf bearers**
(l)430mm x (w)87mm x (d)18mm
- **1 x back shelf bearer**
(l)1200mm x (w)87mm x (d)18mm
- **Hanging rail**
(l)1200mm
- **Fixings** - 7 x wallplugs; 7 x 40mm screws; 6 x 30mm screws; 2 x hanging rail brackets; 4 x 15mm screws; self-adhesive screw head cover caps
- **Drilling template**

1. Measuring and cutting to size

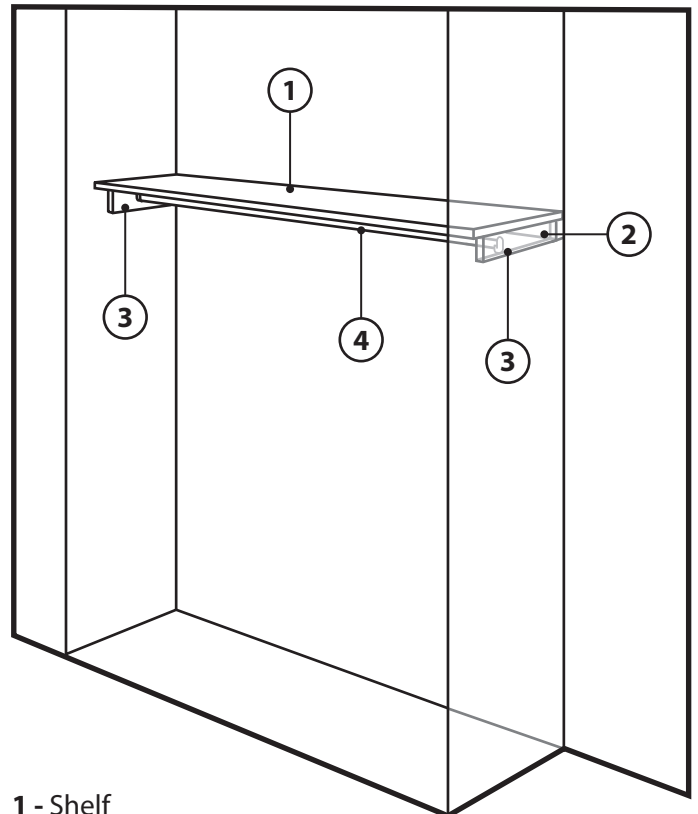
Measure the width of the space you require the shelf and hanging rail to span. If this is less than 1200mm cut the shelf and longest shelf bearer down to the length required.

TIP *When cutting the shelf and shelf bearer to length use masking tape along the cut lines to prevent the laminate surface from chipping. Carefully remove the tape after you have finished cutting.*

2. Fixing the shelf bearers and shelf

Decide at what height you want the shelf to be positioned; then, using a spirit level, draw a pencil line on the back and side walls to indicate where the **underside** of the shelf will sit. On each of the shelf bearers, mark the position for drilling 2mm pilot holes for fixing the bearers to the back and side walls of the wardrobe – see the diagram on page 2. We advise that the pilot holes are countersunk so once in place self adhesive cover caps will fit neatly over the screw heads.

Position the longest bearer against the back wall with its top edge level with the pencil line you have already marked. Using a bradawl through the pilot holes, mark



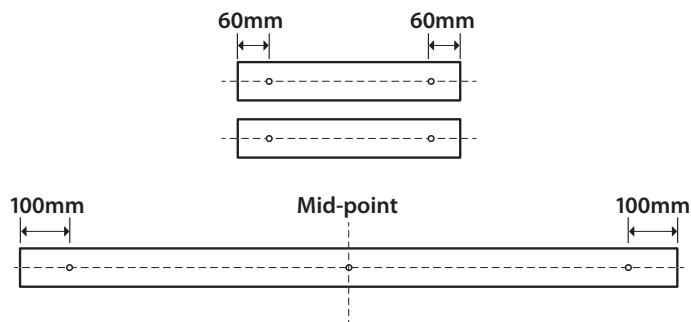
- 1 - Shelf
- 2 - Back shelf bearer
- 3 - Side shelf bearers
- 4 - Hanging rail

Tools required (not supplied)

- Electric drill, 2mm diam. wood drill bit and 6mm diam. masonry drill bit
- Crosshead screwdriver
- Handsaw (with appropriate blade for cutting MFC)
- Hacksaw (32tpi blade recommended)
- Spirit level
- Bradawl
- Tape measure
- Pencil

the back wall with the positions for drilling the holes for the wallplugs. Remove the bearer and drill the three holes in the back wall using a 6mm masonry drill bit. Push three wallplugs firmly into the holes, offer up the shelf bearer again and secure it in place using three of the 40mm screws. Repeat this process to fix the two side shelf bearers in place. Cover the screwheads with the self-adhesive cover caps supplied.

Prior to sliding the shelf into position, we recommend drilling and counter-sinking pilot holes through the sides and back edge of the shelf to enable it to be screwed to the side and back shelf bearers. Once the pilot holes have been drilled, slide the shelf into position and ensure that it is sitting firmly on all three shelf bearers. Finally, screw the shelf to the shelf bearers using the 30mm screws provided.



Drill pilot holes through the shelf bearers from each end at the distances shown, and one pilot hole at the mid-point of the back shelf bearer, after it has been cut to length.

3. Fixing the hanging rail

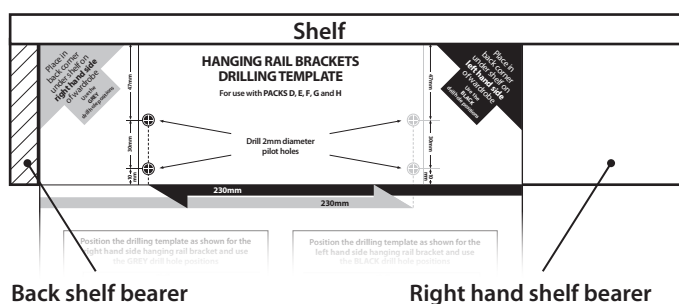
To ensure the hanging rail is positioned correctly, use the paper drilling template supplied. See the diagrams 1 and 2 opposite to help you position the drilling template correctly for each side of the hanging rail.

TIP You may wish to mark the positions for the pilot holes on the left hand and right hand shelf bearers with a bradawl, remove the template and then drill the holes; rather than drilling the pilot holes directly through the paper template.

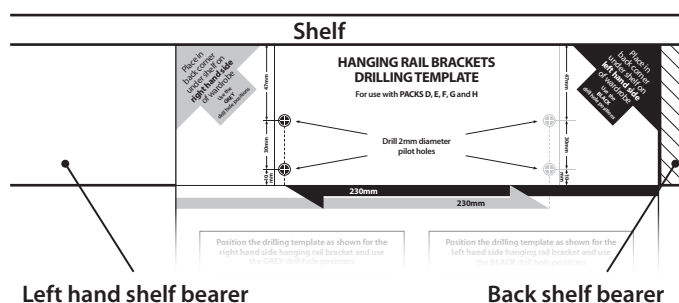
Once the pilot holes have been drilled, place the hanging rail brackets in position (ensuring the U-shaped cup is at the bottom) and screw each one in place through the top and bottom holes, using the 15mm screws provided.

Measure the distance between the inside edges of each of the hanging rail brackets and cut the rail to the same length. The hanging rail can then be placed in position and should sit securely in the U-shaped cups of the brackets.

1. Drilling template position for the right hand side hanging rail bracket



2. Drilling template position for the left hand side hanging rail bracket



Disclaimer: It is the responsibility of the customer to ascertain that the area for installation is structurally sound and that any drilling necessary will not compromise electrical wiring, water pipes or gas services. The information provided herein is intended as a guide to good practice. The manufacturer cannot be held responsible or liable for any damage, wear or malfunction caused to components due to inadequate or improper installation.