



# LINERS KIT

## INSTALLATION GUIDE

This information sheet provides details of how to install top and bottom liners and two wall liners.  
**Please take time to read it through fully prior to the installation of your sliding wardrobe doors.**

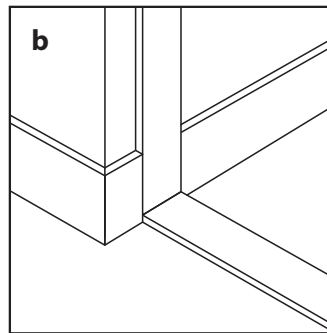
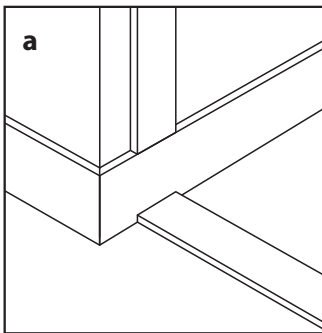
This pack contains:

- **2 x liners (top/bottom)**  
(l)1200/1600/2000/2400 x (w)87mm x (d)18mm
- **2 x wall liners**  
(l)2800 x (w)87mm x (d)18mm
- **Fixings** - 16 x wallplugs; 16 x 40mm screws;  
self-adhesive screw head cover caps

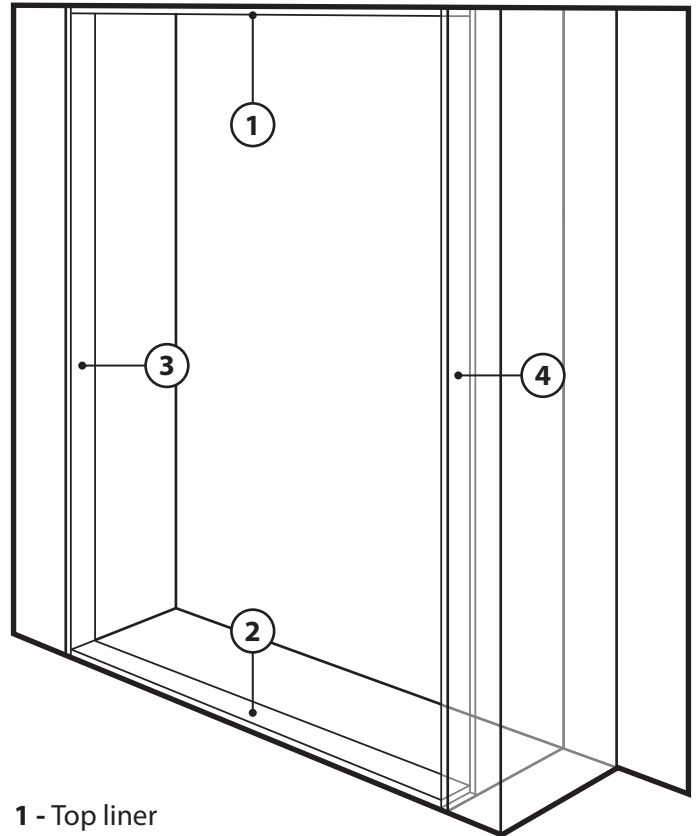
### 1. Planning the area

Before beginning construction check all relevant dimensions carefully. Check the wall and underfloor areas to avoid damaging water or central heating pipes and electric cables.

If you are fixing the wall liners to walls that have existing skirting boards (and/or covings) there are two optional ways you can do this. The wall liner thickness (18mm) is generally the same as the projection of the skirting board; therefore if you wish to avoid cutting the skirting board the wall liners can be cut to length and positioned above the skirting to the ceiling (see illustration **a**). Alternatively, if you wish to run the wall liners from floor to ceiling you must remove the skirting board at the correct position allowing a tolerance for the bottom liner to butt up to it (see illustration **b**).



If you have a coving or cornice at ceiling level and you have ordered your system to fit to the ceiling height you must also remove the corresponding portion of the coving with clearance to allow for the wall liner to finish at ceiling level.



- 1 - Top liner
- 2 - Bottom liner
- 3 - Wall liner
- 4 - Wall liner

### Tools required (not supplied)

- Electric drill, 2mm diam. wood drill bit and 6mm diam. masonry drill bit
- Crosshead screwdriver
- Handsaw (with appropriate blade for cutting MFC)
- Hacksaw (32tpi blade recommended)
- Spirit level
- Bradawl
- Tape measure
- Pencil

## 2. Cutting, drilling and fixing the left-hand and right-hand wall liners

The wall liners are supplied at a standard length of 2800mm. If your wardrobe installation is going to be of a height lower than this you will need to cut the wall liners down to the desired length, taking in to account which of the two options shown in illustrations **a** or **b** (above) you are using.

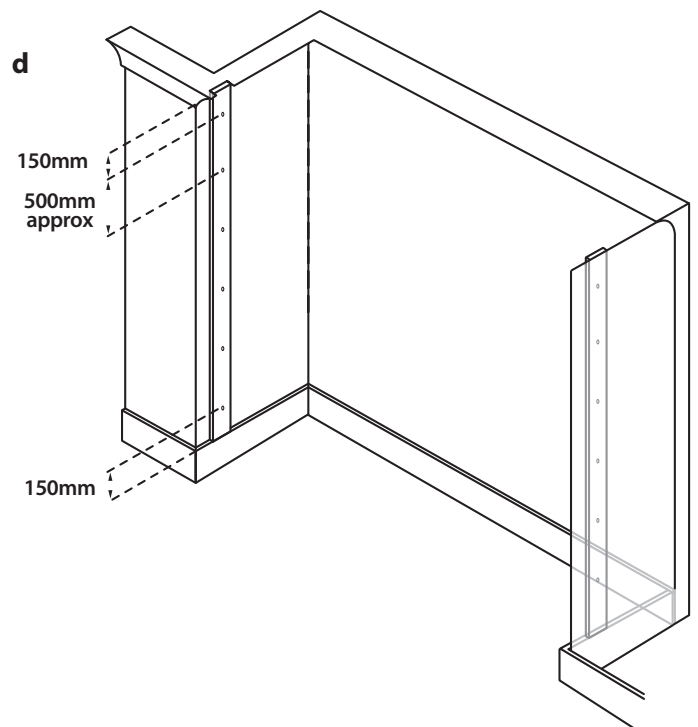
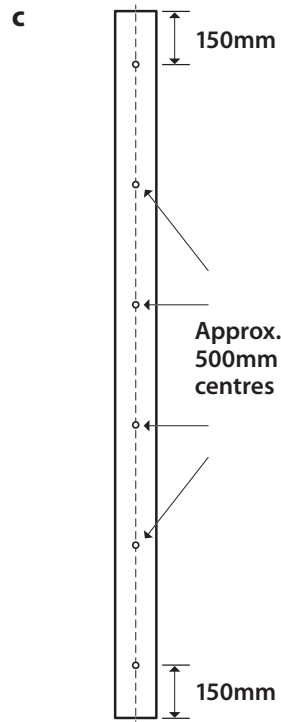
**TIP** When cutting the wall liners to length use masking tape along the cut lines to prevent the laminate surface from chipping. Carefully remove the tape after you have finished cutting.

Drill and countersink 2mm pilot holes centrally in the width of the wall liners, approximately 150mm from each end and space out the remaining pilot holes evenly at a maximum of 500mm centres (see illustration **c**).

Place the first wall liner into position. Check with a spirit level that it is vertical in both directions and pack away from the wall if necessary to ensure it is plumb.

Using a bradawl through the pilot holes, mark positions on the wall to drill the holes for the wallplugs. Remove the wall liner and using a 6mm masonry bit, drill the wall and then insert the wallplugs. Replace the wall liner in position and secure it using the 40mm screws, ensuring the screw heads finish flush with the face of the liner. Repeat the same process to fix the second wall liner (see illustration **d**). For a neater finish on the wall liners it is advisable to cover the screwheads with the self-adhesive cover caps supplied.

**Note:** For an overall neater finish, as an alternative to drilling and screwing, a grab adhesive such as No More Nails or Pink Grip can be used to fix the wall liners in place on each side of the wardrobe aperture. Make sure to follow the manufacturer's guidelines and, using a spirit level, check that the wall liners are fully vertical before the grab adhesive hardens.

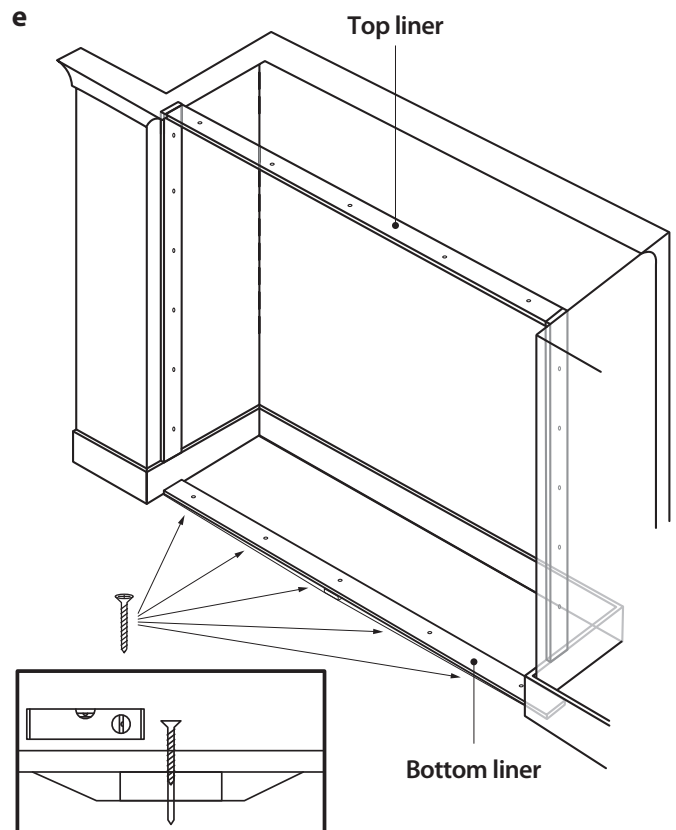


### 3. Cutting, drilling and fixing the top and bottom liners

The top and bottom liners are supplied at a standard length, nearest to the width that you have specified and so will need to be cut to the required size. Measure the distance between the inner surfaces of the top left- and right-hand wall liners at ceiling level and floor level and cut the top and bottom liners to the corresponding lengths.

As with the wall liners drill and countersink 2mm pilot holes centrally in the width of the bottom liner, approximately 150mm from each end and space out the remaining pilot holes evenly at a maximum of 500mm centres. It is essential for the proper running of the doors that the bottom track is perfectly level; therefore, check the level of the bottom liner carefully, using a spirit level. If there is a dip in the floor across the width of the area use packers to ensure that the bottom liner is perfectly level (see illustration **e**). Fix the bottom liner to the floor with countersunk screws, ensuring the heads finish flush with the face of the liner. Follow the same process to fix the top liner in position.

**Note:** Before fixing the top liner to the ceiling using screws it will be necessary to ascertain beforehand the position of the ceiling joists in order to drill the pilot holes at the correct positions in order that they coincide with the joists.



---

**Disclaimer:** It is the responsibility of the customer to ascertain that the area for installation is structurally sound and that any drilling necessary will not compromise electrical wiring, water pipes or gas services. The information provided herein is intended as a guide to good practice. The manufacturer cannot be held responsible or liable for any damage, wear or malfunction caused to components due to inadequate or improper installation.

---